

NS3

Network Sensor with Combined PIR, Daylight and IR Control

Key Features

- Excellent sensitivity to small movements using Quad-Pyro technology
- Greater sensor stability with reduced noise susceptibility
- 360 degree detection area
- Ceiling flush mounted for a low profile, unobtrusive installation
- Compact 49mm diameter size ideal for suspended ceilings, chilled beam and In fill plate applications
- Connects directly to the iLight iCANnet™ Network

Overview

The NS3 multi sensor can be connected directly to the iLight iCANnet™ Network via CAN terminals. It features 3 functions: PIR motion detection, daylight measurement and an infra-red receiver. All three functions may be programmed within the iLight software according to specific user needs.

This sensor features a movement detection coverage of up to 8.5m diameter depending on installation height with PIR detection optimised for Slight Motion for superior performance.

The PIR feature may be set in absence or presence detection mode with variable programmable timing.

The daylight feature is used to maintain constant light level where controlled luminance (daylight linking) is required.

In operational mode the infrared receiver may select scenes, turn lighting on/off and adjust levels locally with the iLight remote controller (HH171R).



The NS3-C sensor's combined features ensure maximum energy savings as well as great flexibility for the user.



Suitable For

Cellular office
Open plan office
School classroom
Lecture theatre
Retail complex
Public library
Sports hall
Airport terminal
Hospital wards
Factory production area
Corridor & staircases
Foyer & atriums
Plant room
Storeroom
Consulting room
Meeting room

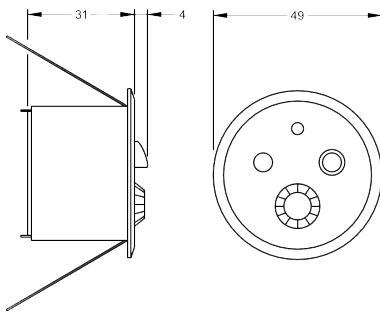
Technical Information

Construction: Circular plastic housing
UL94 V0 rated
Dimensions:
Diameter front 49mm, rear 39mm Depth 30mm
Fixing: 2 x spring clips
Mounting Hole Diameter: 40 to 45mm Diameter depending on ceiling material
Weight: 35g
Temperature: 0 to 45°C (non condensing)
Supply: 9 - 24V dc (regulated)
Load data: 10m A @ 15V
Max recommended mounting height: 3.4m

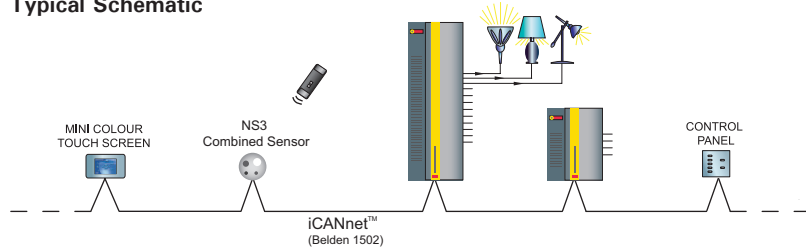
Operating Parameters

- Connects directly to the iLight Network
- Controls any luminaire anywhere on the System
- Presence and Absence functionality
- Light Thresholds, Scenes and Time Outs programmed & adjusted at any time in software.
- Built-in flexibility to suit individual user requirements

Dimensions



Typical Schematic



Options

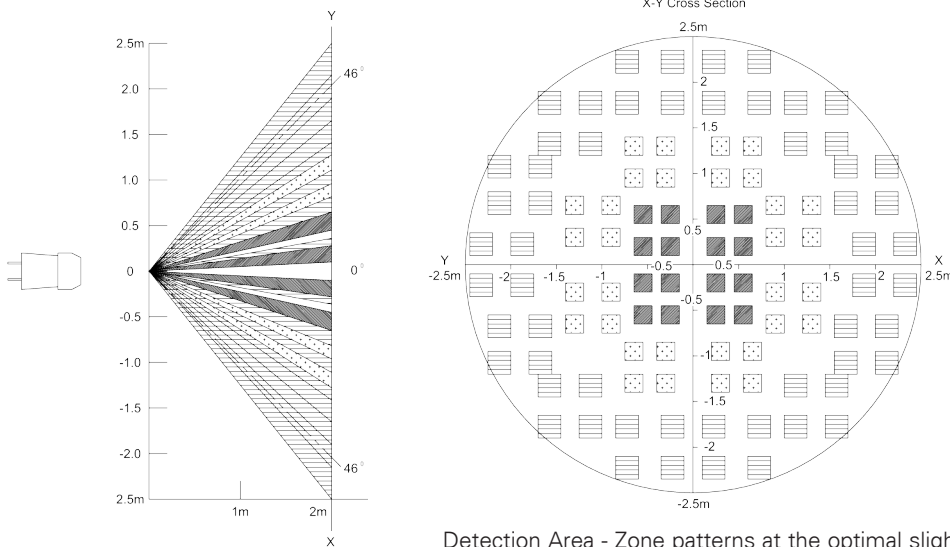


Remote Controller - HH171R
(Order Separately)



Surface mounting box - AX-SMA1
(Order Separately)

Detection



Detection Area - Zone patterns at the optimal slight motion detection distance of 2m from sensor

The differences in the detection zone patterns are indicative of the projections of the 26 lenses with single focal point and with three optical axis.

An object whose temperature differs from the background temperature and which crosses inside the detection zone will be detected.

Detection range is typically calculated at the working plane (900mm off the floor)

Contact your local Eaton office

20 Greenhill Crescent, Watford Business Park,
Watford, Herts, WD18 8JA. UK
T: +44 (0)1923 495496 F: +44 (0)1923 228796
E: enquiries@iLight.co.uk www.iLight.co.uk

Eaton Industries Manufacturing GmbH
Electrical Sector EMEA
Route de la Longeraie
71110 Morges, Switzerland
Eaton.eu

Changes to the products, to the information contained in this document, and to prices are reserved; so are errors and omissions.

Eaton is a registered trademark.

All other trademarks are property of their respective owners.



Powering Business Worldwide

© 2015 Eaton
All Rights Reserved

Document No: NS3 Rev2 1214

